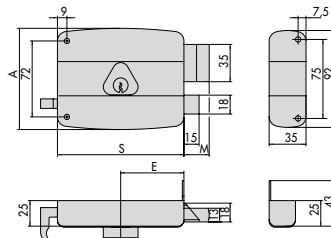
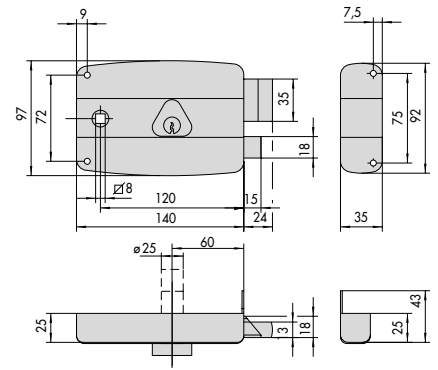


1.15004.00



	E	S	A	M		E	S	A	M
1.50110.40	40	80	94	24	1.50126.50	50	100	95	33
1.50110.50	50	100	95	24	1.50126.60	60	120	96	33
1.50110.60	60	120	96	24	1.50126.70	70	140	97	33
1.50110.70	70	140	97	24	1.50161.40	40	80	94	24
1.50111.40	40	80	94	24	1.50161.50	50	100	95	24
1.50111.50	50	100	95	24	1.50161.60	60	120	96	24
1.50111.60	60	120	96	24	1.50161.70	70	140	97	24
1.50111.70	70	140	97	24	1.50320.40	40	80	94	24
1.50115.50	50	100	95	33	1.50320.50	50	100	95	24
1.50115.60	60	120	96	33	1.50320.60	60	120	96	24
1.50115.70	70	140	97	33	1.50320.70	70	140	97	24
1.50120.40	40	80	94	24	1.50321.40	40	80	94	24
1.50120.50	50	100	95	24	1.50321.50	50	100	95	24
1.50120.60	60	120	96	24	1.50321.60	60	120	96	24
1.50120.70	70	140	97	24	1.50321.70	70	140	97	24
1.50121.40	40	80	94	24	1.50330.40	40	80	94	24
1.50121.50	50	100	95	24	1.50330.50	50	100	95	24
1.50121.60	60	120	96	24	1.50330.60	60	120	96	24
1.50121.70	70	140	97	24	1.50330.70	70	140	97	24
1.50125.50	50	100	95	33	1.50340.40	40	80	94	24
1.50125.60	60	120	96	33	1.50340.50	50	100	95	24
1.50125.70	70	140	97	33	1.50340.60	60	120	96	24

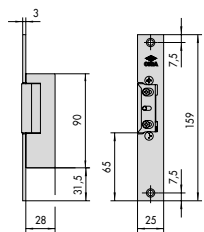
10



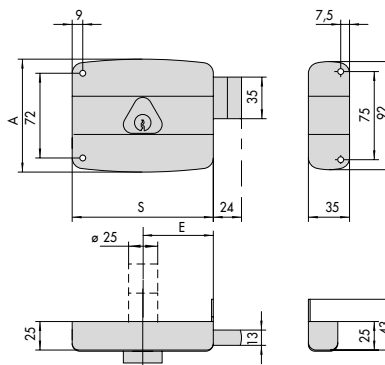
1.50170.60, 1.50171.60, 1.50180.60, 1.50181.60,

13

16



1.15005.00

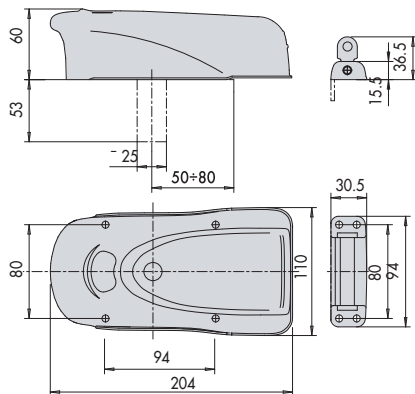


	E	S	A		E	S	A
1.50130.40	40	80	94	1.50141.40	40	80	94
1.50130.50	50	100	95	1.50141.50	50	100	95
1.50130.60	60	120	96	1.50141.60	60	120	96
1.50130.70	70	140	97	1.50141.70	70	140	97
1.50131.40	40	80	94				
1.50131.50	50	100	95				
1.50131.60	60	120	96				
1.50131.70	70	140	97				

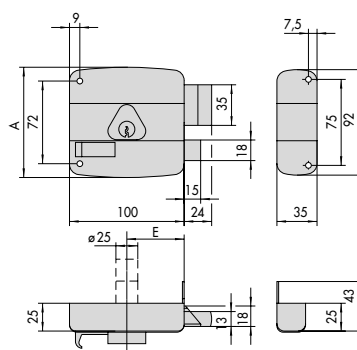
11

14

17



1A610, 1A611, 1A630, 1A631, 1A721, 1A731

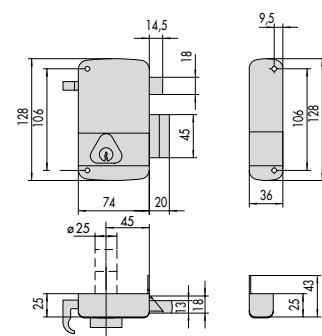


	E	S	A
1.50160.40	40	80	94
1.50160.50	50	100	95
1.50160.60	60	120	96
1.50160.70	70	140	97

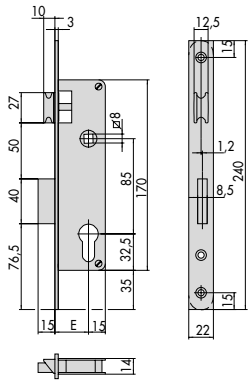
12

15

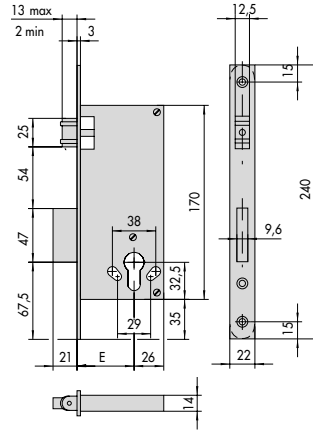
18



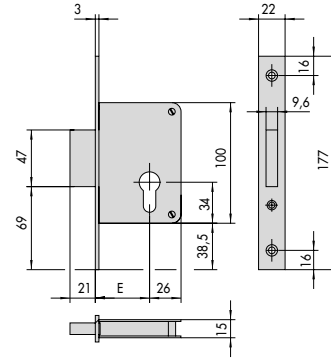
1.50220.45, 1.50221.45



52010, 52011,  
52031  
E = 21 - 25 - 30

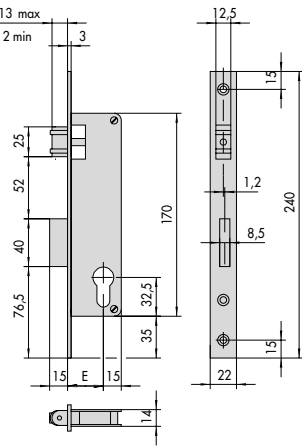


52120, 52621  
52641  
E = 35 - 40 - 45 - 50 - 60 - 70



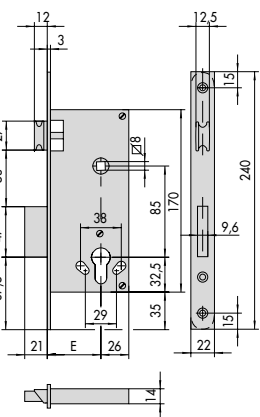
52310  
E = 40 - 45 - 50 - 60 - 70

19



52020, 52021  
E = 21 - 25 - 30

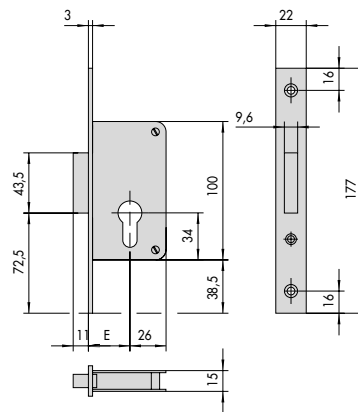
20



52110, 52111, 52195, 52611, 52650, 52651  
52131, 52631, 52671  
E = 35 - 40 - 45 - 50 - 60 - 70

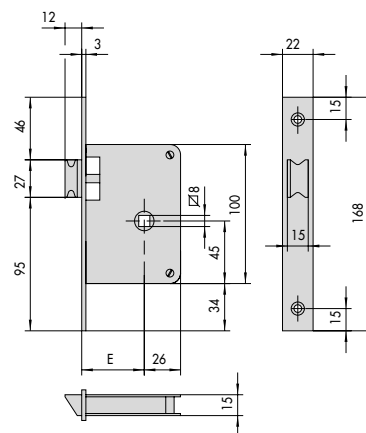
21

22



52210  
E = 35 - 30

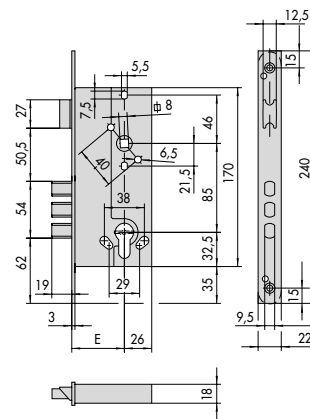
23



52300  
E = 40 - 45 - 50 - 60 - 70

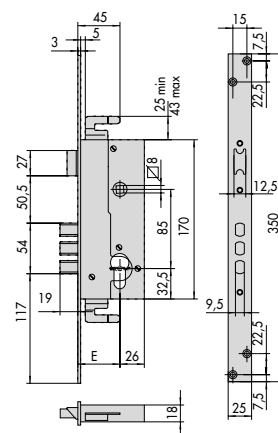
24

25



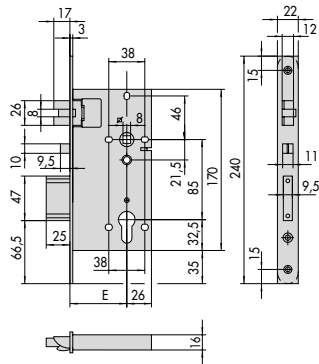
52521  
52520  
57291  
57290  
E = 45 - 50 - 60

26



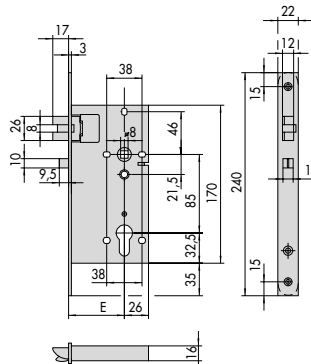
52526  
57296  
E = 45 - 50 - 60

27



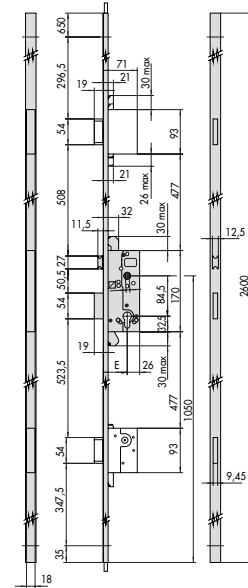
SERIE  
52710, 52711, 52840, 52842,  
52860, 52862

28



SERIE  
52755, 52756

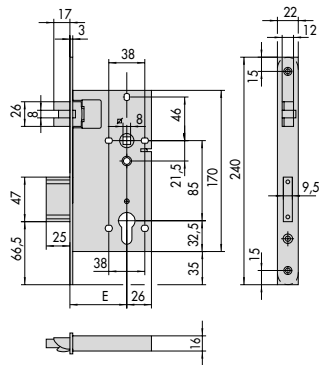
31



53131, 53133,  
53135, 53137,  
53151, 53153,  
53155, 53157,  
57831, 57833,  
57835, 57837,  
57851, 57853,  
57855, 57857

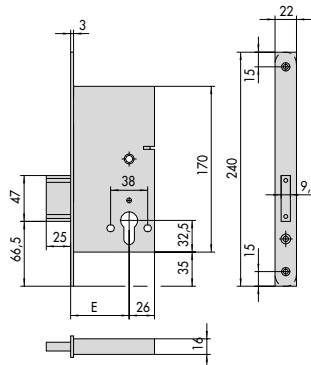
E = 45 - 50 - 60

34



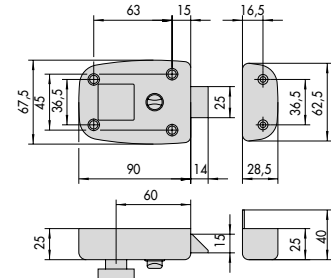
SERIE  
52730, 52731

29



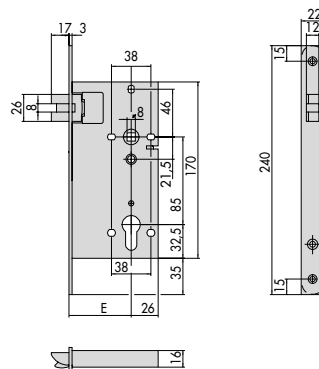
SERIE  
52780, 52781, 52871, 52891

32



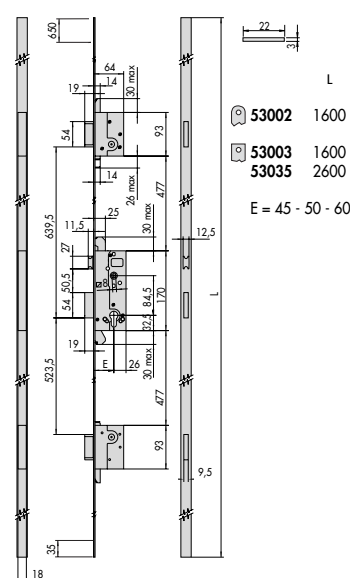
54310, 54311, 54312, 54315, 54316,

35

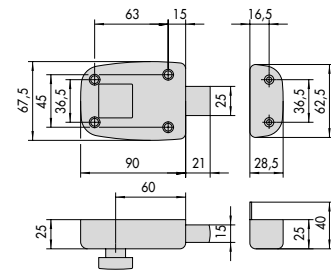


52750, 52751

30



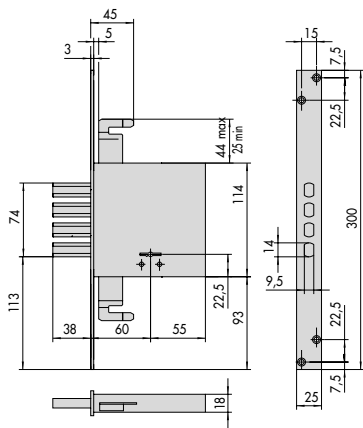
33



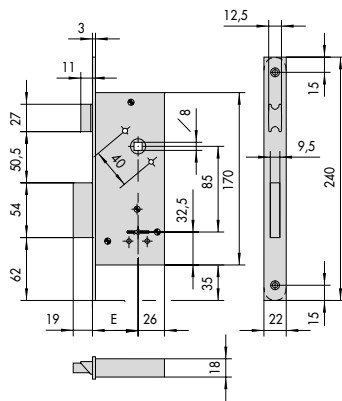
54340, 54341, 54342, 54350, 54352

36

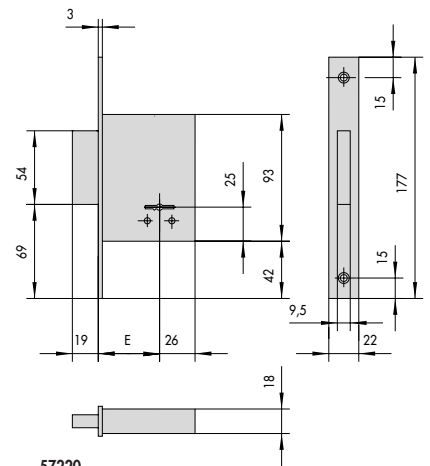




1.57033.60



57210  
57211  
E = 40 - 45 - 50 - 60

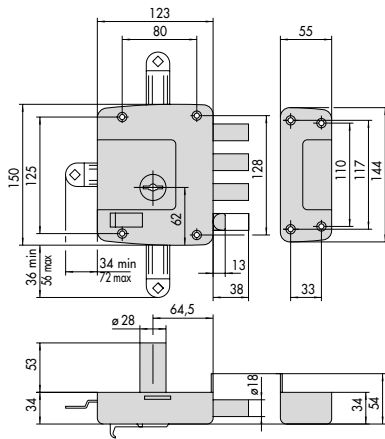


57220  
E = 40 - 45 - 50 - 60

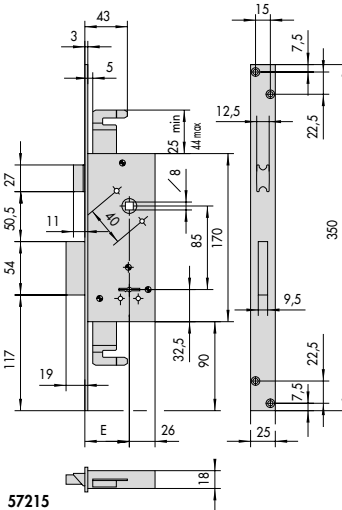
46

49

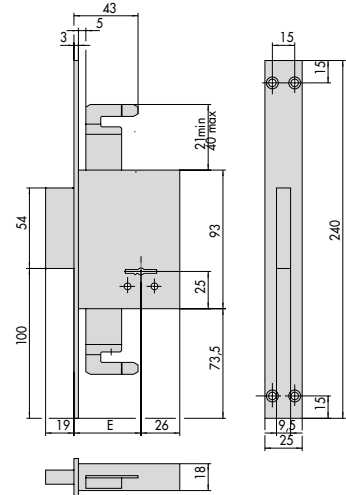
52



1.57110.60, 1.57115.60, 1.57120.60, 1.57125.60,  
1.57130.60, 1.57135.60, 1.57150.60, 1.57155.60,  
1.57160.60, 1.57165.60, 1.57170.60, 1.57175.60



57215  
E = 45 - 50 - 60

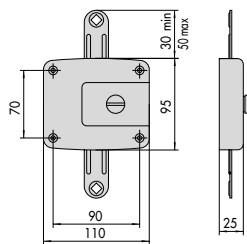


57225  
E = 45 - 50 - 60

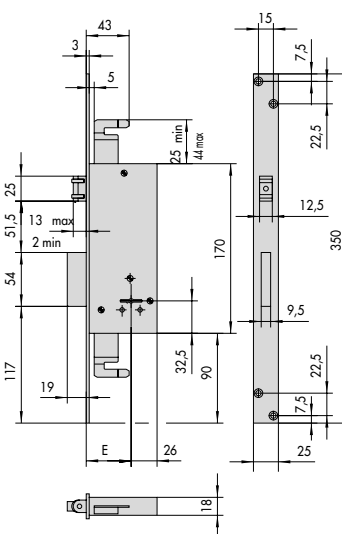
47

50

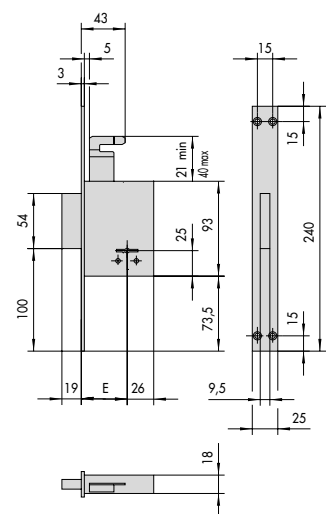
53



1.57190.00



57217  
E = 45 - 50 - 60

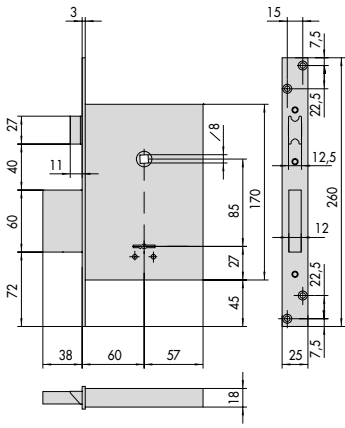


57230  
E = 45 - 50 - 60

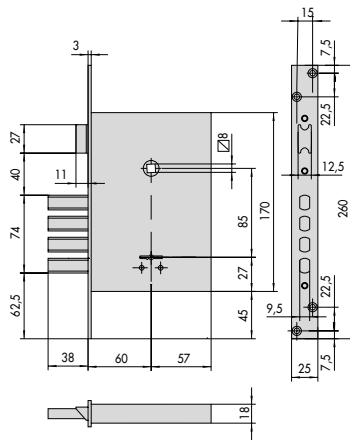
48

51

54



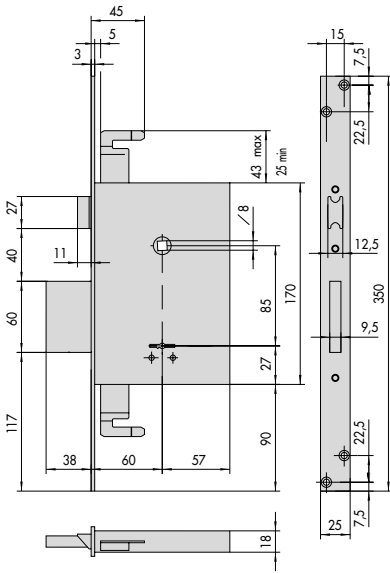
57250, 57254



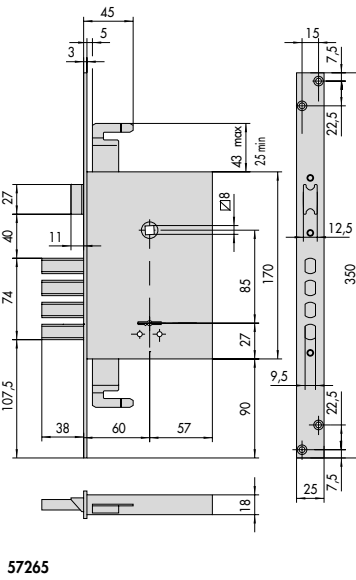
57260

55

58



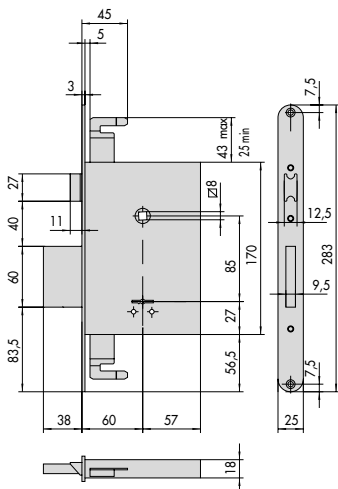
57255, 57259



57265

56

59



1.57256.60

57