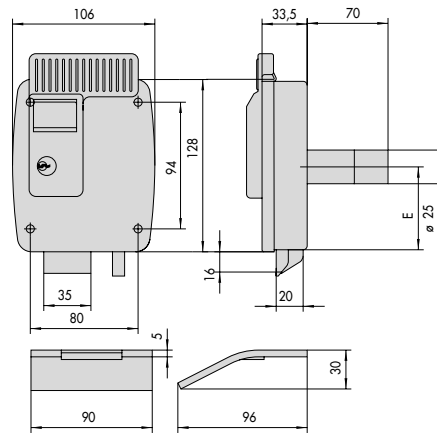


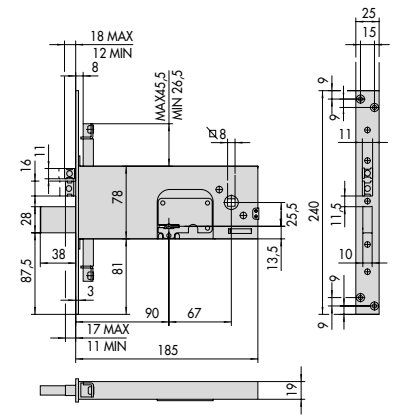
1.11521.40, 1.11551.40

**1**



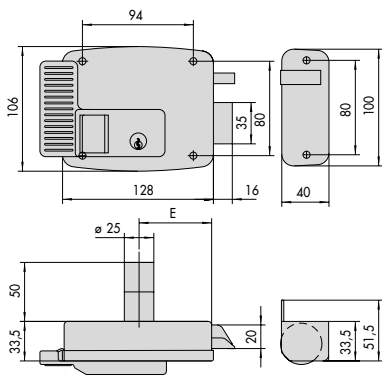
1.11823.80

**4**



1.17358.90

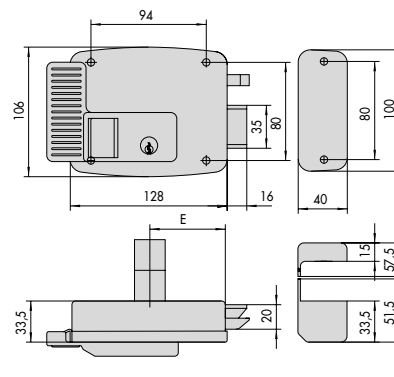
**7**



11721, 11726, 11731, 11921, 11736, 11931

E = 50 - 60 - 70 - 80

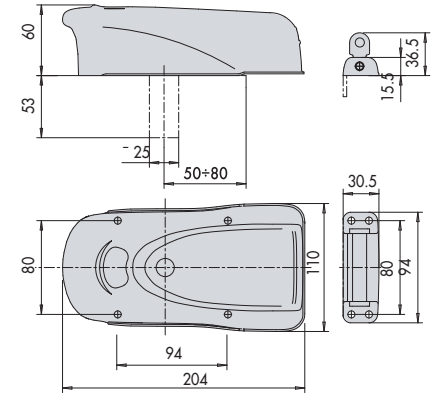
**2**



11921, 11926, 11931, 11936

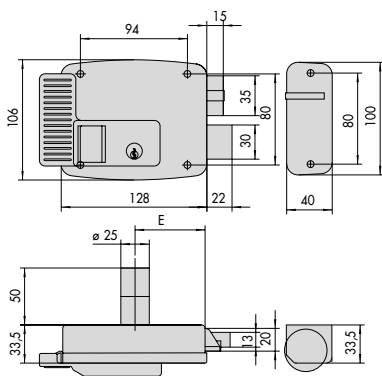
E = 50 - 60 - 70 - 80

**5**



1A610, 1A611, 1A630, 1A631, 1A721, 1A731

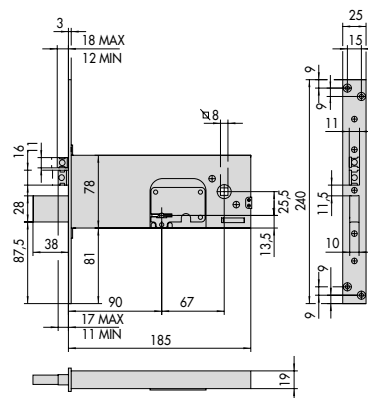
**8**



11761, 11771

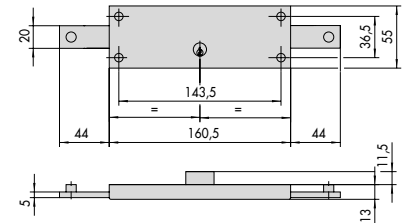
E = 50 - 60 - 70 - 80

**3**



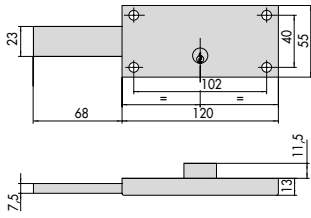
1.17353.90

**6**

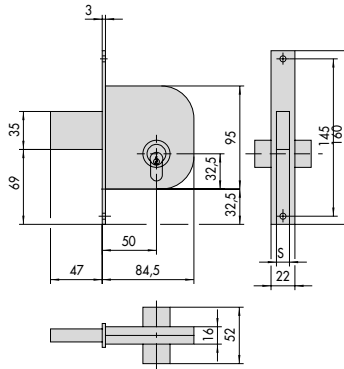


1.41010.80

**9**

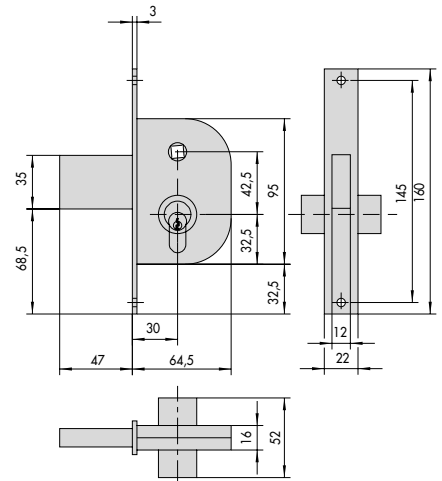


1.41110.60, 1.41111.60



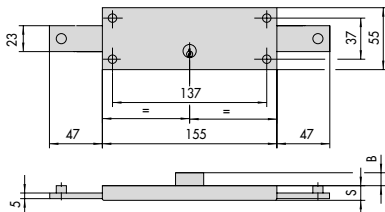
1.42010.50, 1.42011.50  
1.42020.50, 1.42021.50

S  
12  
9



1.42210.30, 1.42211.30

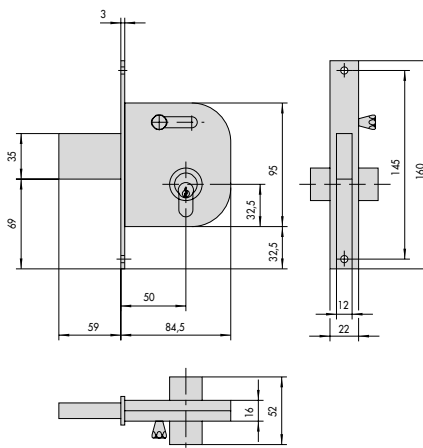
10



1.41210.78  
1.41320.78  
1.41410.78  
1.41510.78

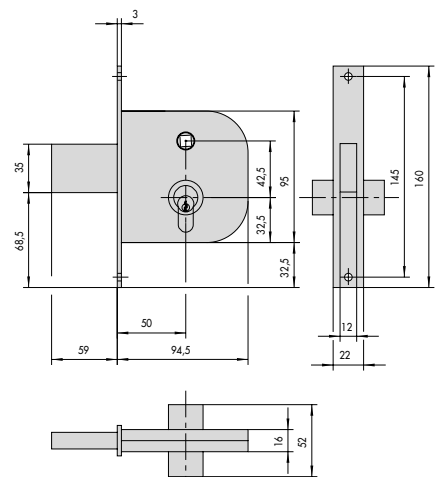
S B  
20 6,5  
17 9,5  
15 6  
15 5,5

13



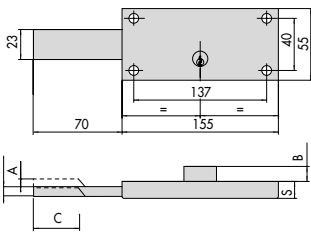
1.42030.50, 1.42031.50

16



1.42310.50, 1.42311.50

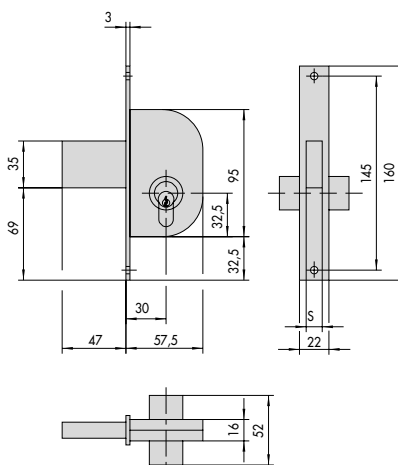
11



1.41220.78  
1.41221.78  
1.41230.78  
1.41231.78  
1.41310.78  
1.41311.78  
1.41420.78  
1.41421.78  
1.41525.78  
1.41526.78

S B A C  
20 6,5  
20 6,5  
20 6,5  
20 6,5  
17 9,5  
17 9,5  
15 6  
15 8,5  
15 5,5 5 31  
15 5,5 5 31

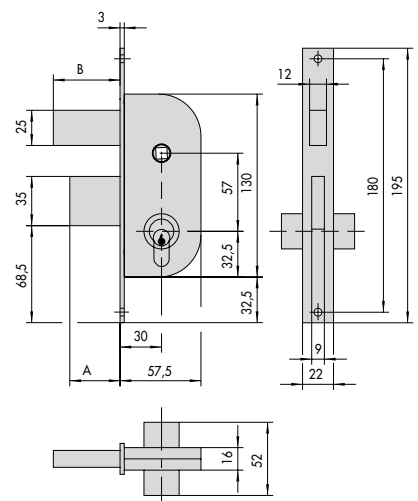
14



1.42110.30, 1.42111.30  
1.42120.30, 1.42121.30

S  
12  
9

17



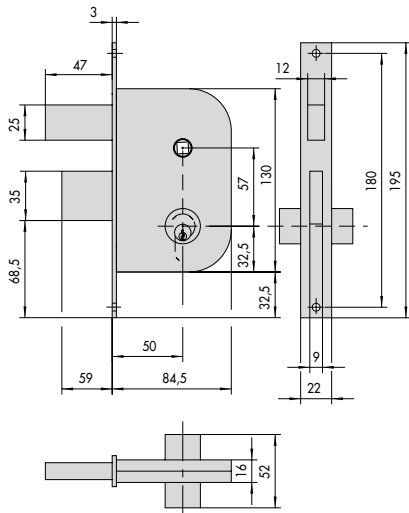
1.42410.30, 1.42411.30  
1.42420.30, 1.42421.30

S B  
A B  
47 47  
28 24

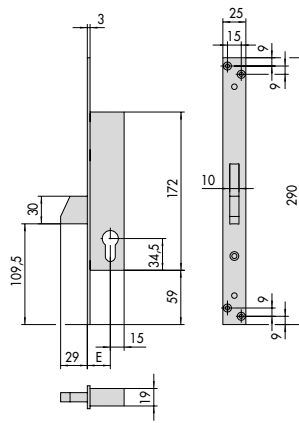
12

15

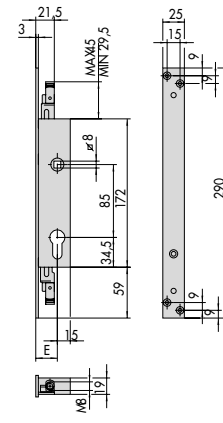
18



1.42510.50, 1.42511.50



46310, 46312  
E = 25 - 30 - 35

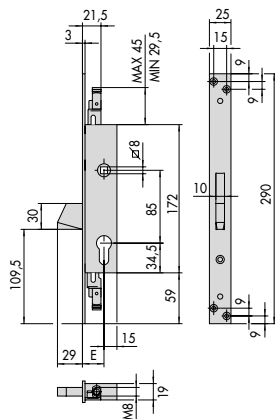


46375  
E = 25 - 30 - 35

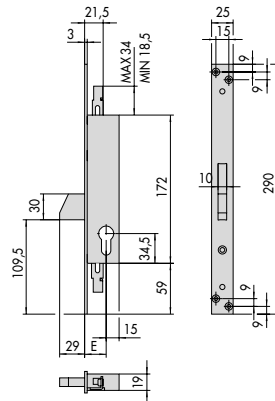
19

22

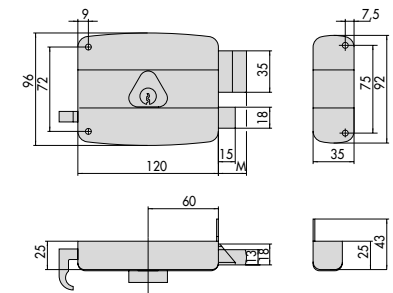
25



46300, 46302  
E = 25 - 30 - 35



46320, 46322  
E = 25 - 30 - 35

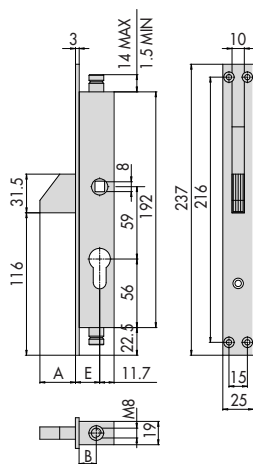


1.50411.60, 1.50421.60

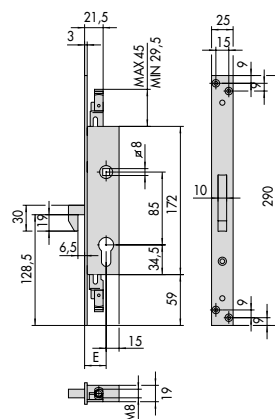
20

23

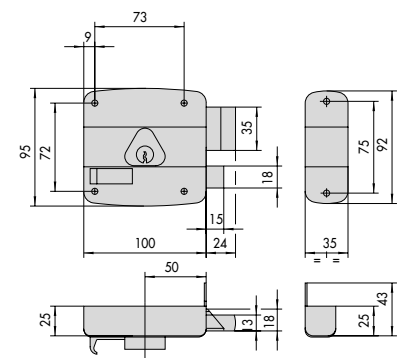
26



	E	A	B
1.46305.19.0	19,7	29	14
1.46305.25.0	25,7	23	20



46365  
E = 25 - 30 - 35

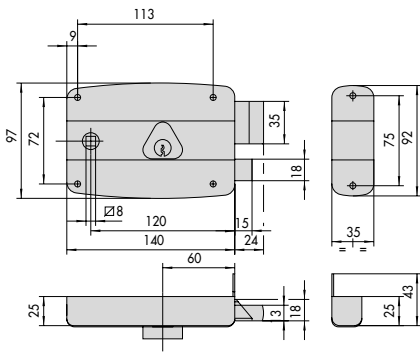


1.50461.50

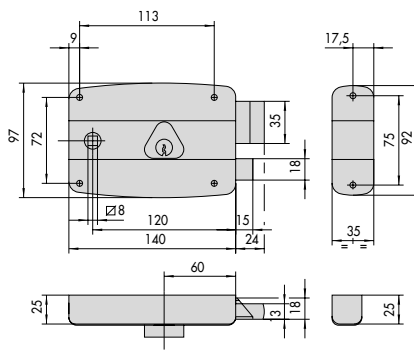
21

24

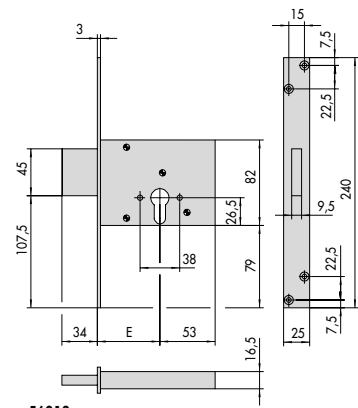
27



1.50171.60, 1.50471.60, 1.50481.60



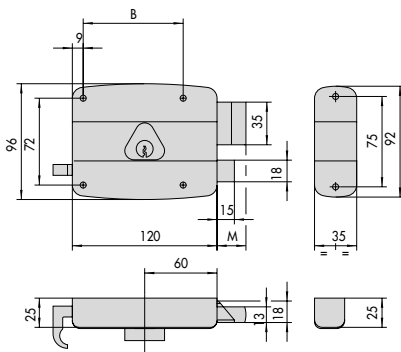
1.50571.60, 1.50581.60



56013

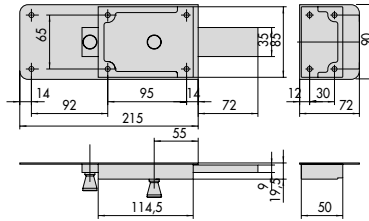
E = 50 - 60 - 70

28



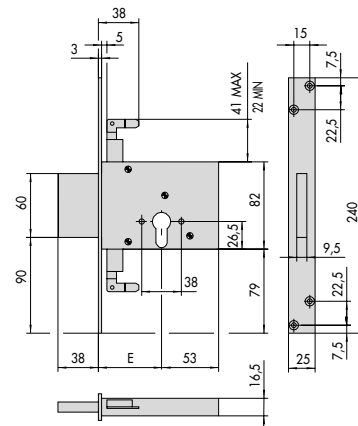
1.50511.60, 1.50521.60

31



1.55254.55, 1.55274.55

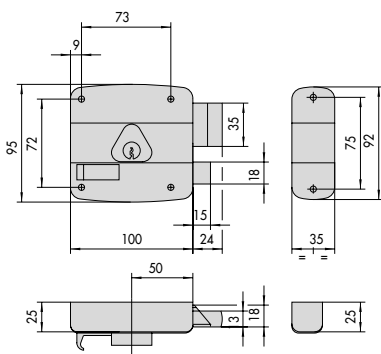
34



56016

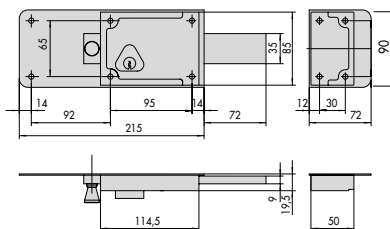
E = 60 - 70

29



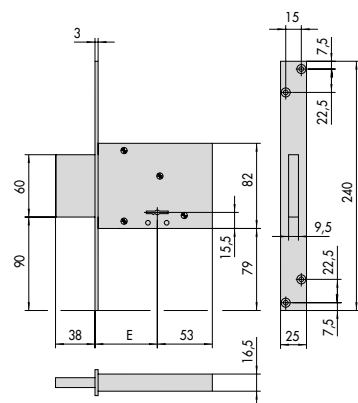
1.50561.50

32



1.55264.55, 1.55284.55

35



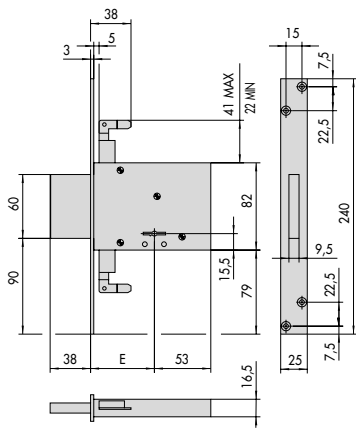
57013

E = 50 - 60 - 70

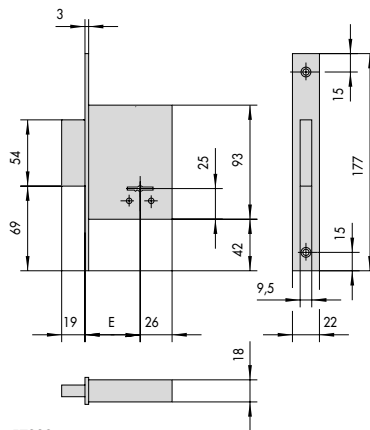
30

33

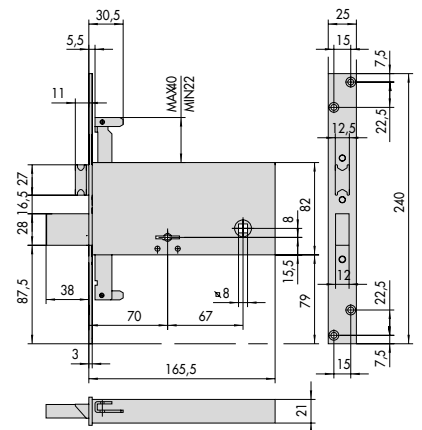
36



57016  
E = 60 - 70



57223  
E = 40 - 45 - 50 - 60

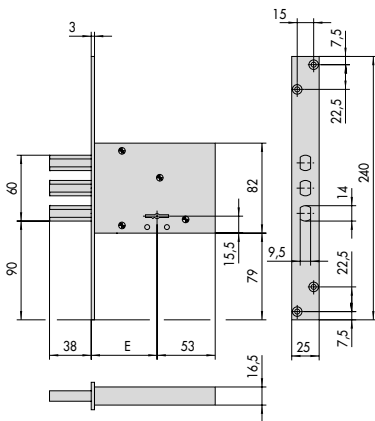


57318

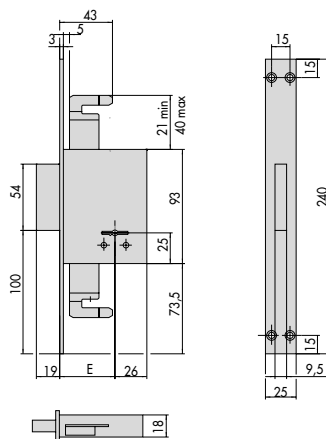
37

40

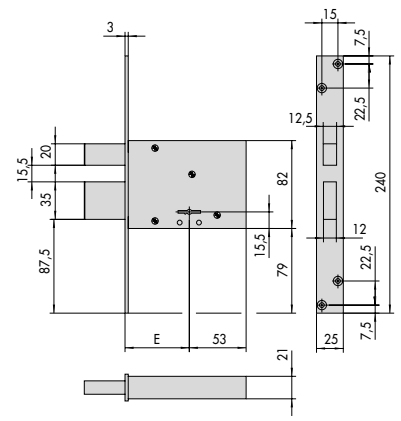
43



57030  
E = 60 - 70



57226  
E = 45 - 50 - 60

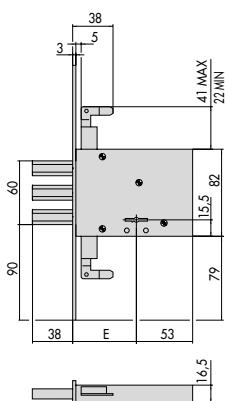


1.57333.70

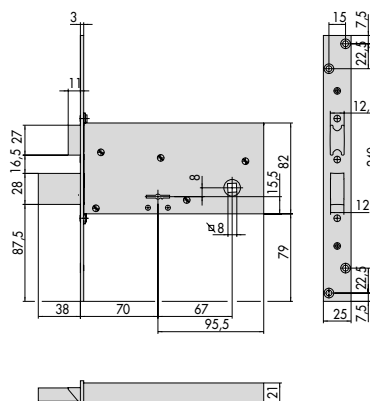
38

41

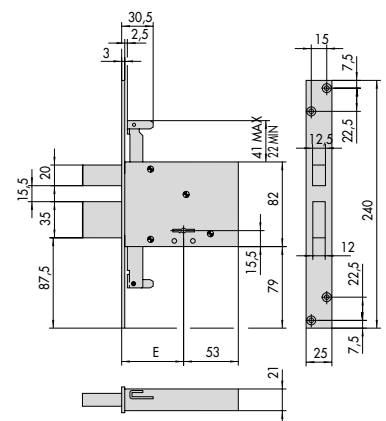
44



57035  
E = 60 - 70



57313

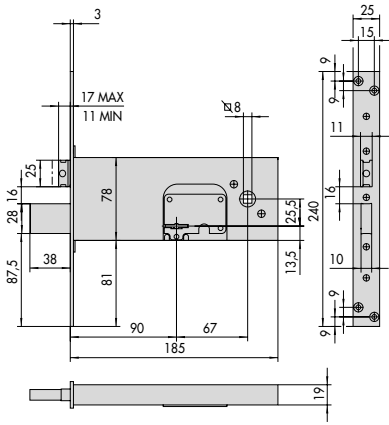


1.57336.70

39

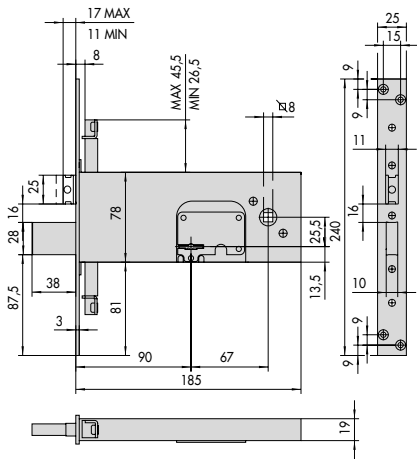
42

45



1.57353.90

46



57358, 57378

47